

INICIO	
MÉDIA D	
ENDURO DASCACHOEIRAS2018	
ENDURO DASCACHOEIRAS2018	
IMPORTANTE	
	CUIDADO
	ATENÇÃO
	MATENÇÃO
Tempo de Prova	
MÉDIA D 04:46:30	
INICIO DE PROVA	
MARIA FUMAÇA	
0.00	
V 30 00.00.00	T1
PREFERENCIAL	
0.03	
V 30 00.00.04	T1
2	
0.26	
V 30 00.00.31	T1
3	
0.39	
V 30 00.00.47	T1
4	
POSTE AFERICAO	
0.43	
0.00	
D 12' 00.00.52	T2
5	
0.22	
D 12'	T2
6	
LOMBADA	
0.74	
D 12'	T2
7	
LOMBADA	
0.98	
D 12'	T2
8	
AFERE 1.342MT	
PLACA PARE	
1.342	
D 12'	AFER
9	
SUPERPAO	
1.65	
D 12'	T2
10	
PONTE	
2.22	
D 12'	T2
11	
2.42	
D 12'	T2
12	
JARDIM MUZOLLON	
3.12	
D 12'	T2
13	
CUIDADO AO ATRAVESSAR BR	
3.52	
D 12'	T2
	T2
14	
PREFERENCIAL	
3.79	
D 12'	T2
	T2
15	
4.05	
D 12'	T2
16	
4.35	
D 12'	T2
17	
4.68	
D 12'	T2
18	
VIADUTO	
5.82	
D 12'	T2
19	
5.94	
D 12'	T2
20	
ZERE NO POSTE FIM DO ASFALTO	
6.05	
0.00	
V 40 00.12.52	T3
21	
0.98	
V 40 00.14.20	T3
22	
SUBIDA SERRA DA ESPERANÇA	
2.86	
V 40 00.17.09	T3
23	
3.44	
0.00	
V 38 00.18.01	T4
24	
NO PINUS	
0.53	
V 26 00.18.51	T5
25	
SIGA BAND	
0.58	
V 26 00.18.58	T5
26	
0.83	
V 26 00.19.33	T5
27	
CUIDADO MOTOS	
0.85	
V 26 00.19.36	T6
	T6
28	
0.87	
V 26 00.19.38	T6
29	
0.93	
V 26 00.19.47	T6
	T6
30	
SUBA	
1.06	
V 26 00.20.05	T6
	T6
31	
PEDRAS	
1.15	
V 26 00.20.17	T6
32	
1.23	
V 26 00.20.28	T6
33	
1.38	
N 3' 00.20.49	T7
34	
1.38	
V 42 00.23.49	T8
35	
1.50	
V 42 00.23.59	T8
	T8
36	
1.86	
V 42 00.24.30	T8
	T8
37	
1.89	
V 42 00.24.33	T8
38	
2.01	
V 42 00.24.43	T8
39	
2.69	
V 42 00.25.41	T8
40	
3.19	
V 42 00.26.24	T8
	T8
41	
3.21	
V 23 00.26.26	T9
42	
DESCE LISOOO	
3.37	
V 23 00.26.51	T9
43	
3.48	
V 29 00.27.08	T10
	T10
44	
3.61	
V 29 00.27.24	T10
45	
3.72	
V 29 00.27.38	T10
46	
3.79	
V 29 00.27.47	T10
47	
3.84	
V 29 00.27.53	T10
	T10
48	
4.13	
V 29 00.28.29	T10
49	
4.26	
V 35 00.28.45	T11
	T11
50	
4.63	
V 35 00.29.23	T11
	T11
51	
4.65	
V 35 00.29.25	T11
52	
4.77	
V 35 00.29.37	T11
53	
MMS	
4.85	
V 35 00.29.46	T11
	T11
54	

NEUTRO

5.02

0.00

N 3' 00.30.03

T12

0.00

V 45 00.33.03

T13

0.94

V 45 00.34.18

T13

0.97

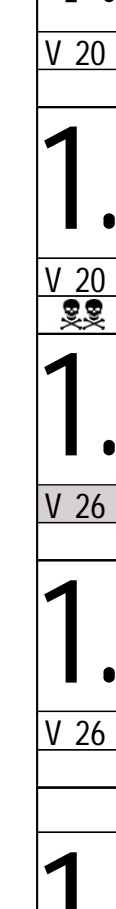
V 45 00.34.21

T13

1.27

V 23 00.34.45

T14



1.42

V 23 00.35.08

T14

1.51

V 23 00.35.22

T14

1.57

V 23 00.35.32

T14

1.72

V 23 00.35.55

T14

1.87

V 39 00.36.19

T15

CDD VALAS

2.77

V 39 00.37.42

T15

PEDRAS

2.84

V 39 00.37.48

T15

3.24

N 3' 00.38.25

T16

3.24

V 39 00.41.25

T17

3.52

V 39 00.41.51

T17

3.76

V 36 00.42.13

T18

3.85

V 36 00.42.22

T18

CDD MSC

4.47

V 39 00.43.24

T19

VALA

4.78

V 39 00.43.53

T19

5.42

V 39 00.44.52

T19

MMS

5.69

0.00

V 22 00.45.17

T20

0.44

V 39 00.46.29

T21

0.51

V 39 00.46.35

T21

0.92

V 20 00.47.13

T22

1.05

V 20 00.47.36

T22

1.23

V 20 00.48.09

T22

1.26

V 26 00.48.14

T23

1.34

V 26 00.48.25

T23

SUBA GASSS

1.62

V 26 00.49.04

T23

CDD MORTAL

1.73

V 26 00.49.19

T23

1.91

V 39 00.49.44

T24

1.99

V 39 00.49.52

T24

2.04

V 39 00.49.56

T24

2.47

V 39 00.50.36

T24

2.81

0.00

V 36 00.51.07

T25

CURVA FORTE

PEDRAS

0.07

V 36 00.51.14

T25

0.25

V 36 00.51.32

T25

VALAS

0.74

V 18 00.52.21

T26

VALAS

0.83

V 42 00.52.39

T27

1.15

V 42 00.53.07

T27

1.22

V 25 00.53.13

T28

MMS

1.36

V 36 00.53.33

T29

VALAS

1.85

V 18 00.54.22

T30

1.94

V 42 00.54.40

T31

2.26

V 42 00.55.07

T31

2.32

V 42 00.55.12

T31

2.36

V 20 00.55.16

T32

2.48

V 20 00.55.38

T32

2.62

V 20 00.56.03

T32

DESCE FORTE

2.71

V 20 00.56.19

T32

2.75

V 20 00.56.26

T32

2.78

V 20 00.56.32

T32

2.94

V 20 00.57.00

T32

2.97

V 40 00.57.06

T33

3.05

V 40 00.57.13

T33

3.13

V 40 00.57.20

T33

3.55

V 40 00.57.58

T33

3.91

V 36 00.58.30








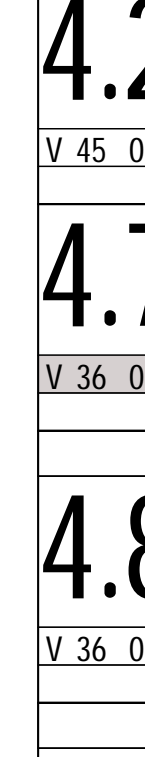


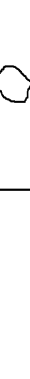
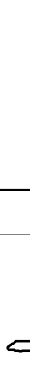


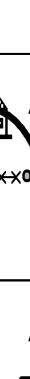



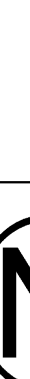
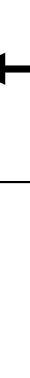
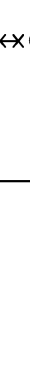
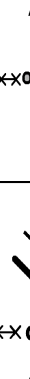








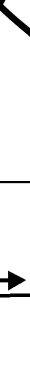

T34

4.16

V 36 00.58.55

T34

VALAS	
4.66	
V 18 00.59.45	
<b>T35</b>	114
4.75	
<b>0.00</b>	
V 40 01.00.03	
<b>T36</b>	115
0.20	
V 40 01.00.21	
<b>T36</b>	116
0.24	
V 40 01.00.25	
<b>T36</b>	117
0.90	
V 40 01.01.24	
<b>T36</b>	118
0.92	
V 40 01.01.26	
<b>T36</b>	119
1.16	
V 40 01.01.48	
<b>T36</b>	120
ENTRADA NO PINIS	
1.32	
V 22 01.02.02	
<b>T37</b>	121
DESCER LISOOO	
1.38	
V 22 01.02.12	
<b>T37</b>	122
1.42	
V 22 01.02.18	
<b>T37</b>	123
1.60	
V 22 01.02.48	
<b>T37</b>	124
MSC	
1.61	
N 5' 01.02.50	
<b>T38</b>	125
1.61	
V 42 01.07.50	
<b>T39</b>	126
1.74	
V 42 01.08.01	
<b>T39</b>	127
2.00	
V 42 01.08.23	
<b>T39</b>	128
2.25	
<b>0.00</b>	
V 30 01.08.44	
<b>T40</b>	129
VALAS	
0.08	
V 30 01.08.54	
<b>T40</b>	130
SUBA	
0.27	
V 30 01.09.17	
<b>T40</b>	131
TOCO	
0.42	
V 30 01.09.35	
<b>T40</b>	132
PPAL	
0.51	
V 30 01.09.46	
<b>T40</b>	133
0.65	
V 30 01.10.02	
<b>T40</b>	134
1.19	
V 30 01.11.07	
<b>T40</b>	135
PPAL	
1.24	
V 40 01.11.13	
<b>T41</b>	136
MATABURRO PRECARIO	
1.32	
N 3' 01.11.20	
<b>T42</b>	137
1.32	
V 40 01.14.20	
<b>T43</b>	138
MANGUEIRA	
1.50	
V 40 01.14.37	
<b>T43</b>	139
1.60	
V 40 01.14.46	
<b>T43</b>	140
2.32	
V 40 01.15.50	
<b>T43</b>	141
SUBA	
2.65	
V 23 01.16.20	
<b>T44</b>	142
BAND	
2.74	
V 23 01.16.34	
<b>T44</b>	143
BAND	
2.78	
V 23 01.16.40	
<b>T44</b>	144
2.98	
V 40 01.17.12	
<b>T45</b>	145
3.10	
V 40 01.17.23	
<b>T45</b>	146
3.14	
V 40 01.17.26	
<b>T45</b>	147
3.68	
V 40 01.18.15	
<b>T45</b>	148
3.78	
V 40 01.18.24	
<b>T45</b>	149
GASS	
3.94	
V 40 01.18.38	
<b>T45</b>	150
4.00	
V 40 01.18.44	
<b>T45</b>	151
4.14	
V 40 01.18.56	
<b>T45</b>	152
4.25	
V 40 01.19.06	
<b>T45</b>	153
4.31	
V 40 01.19.11	
<b>T45</b>	154
4.47	
V 40 01.19.26	
<b>T45</b>	155
4.49	
V 30 01.19.28	
<b>T46</b>	156
4.80	
V 30 01.20.05	
<b>T46</b>	157
5.02	
V 30 01.20.31	
<b>T46</b>	158
5.51	
V 30 01.21.30	
<b>T46</b>	159
PEPE	
5.83	
V 23 01.22.08	
<b>T47</b>	160
6.08	
V 23 01.22.48	
<b>T47</b>	161
VALA	
6.12	
N 2' 01.22.54	
<b>T48</b>	162
6.12	
V 23 01.24.54	
<b>T49</b>	163
6.60	
V 23 01.26.09	
<b>T49</b>	164
CDD VALAS	
6.79	
V 23 01.26.39	
<b>T49</b>	165
7.44	
V 39 01.28.20	
<b>T50</b>	166
7.72	
V 39 01.28.46	
<b>T50</b>	167
7.98	
V 39 01.29.10	
<b>T50</b>	168
VALAS	
8.12	
V 39 01.29.23	
<b>T50</b>	169
PONTE PRECARIA	
8.21	
V 39 01.29.32	
<b>T50</b>	170
INICIO RADAR	
8.38	
V 30 01.29.47	
<b>T51</b>	171
8.42	
V 30 01.29.52	
<b>T51</b>	172

FIM RADAR	
8.51	
V 30 01.30.03	
T51	173
8.62	
V 30 01.30.16	
T51	174
NEUTRO 10 MIN	
ROVER MELHO	
8.96	
0.00	
N 10' 01.30.57	
T52	175
0.00	
V 45 01.40.57	
T53	176
1.61	
V 45 01.43.06	
T53	177
1.83	
V 45 01.43.23	
T53	178
2.95	
V 45 01.44.53	
T53	179
	
LAGO	
WEISSHAAR	
3.25	
V 45 01.45.17	
T53	180
3.43	
V 45 01.45.31	
T54	181
3.44	
V 45 01.45.32	
T54	182
3.73	
V 45 01.45.55	
T54	183
3.92	
V 45 01.46.10	
T54	184
4.27	
V 45 01.46.38	
T54	185
4.70	
V 36 01.47.13	
T55	186
COLICA	
4.86	
V 36 01.47.29	
T55	187
VALA	
5.08	
V 18 01.47.51	
T56	188
5.23	
V 18 01.48.21	
T56	189
5.33	
V 18 01.48.41	
T56	190
5.38	
V 33 01.48.51	
T57	191
PEDRA	
5.76	
V 33 01.49.32	
T57	192
6.02	
V 33 01.50.01	
T57	193
6.27	
V 26 01.50.28	
T58	194
VALA	
6.44	
V 26 01.50.51	
T58	195
CUIDADO TOCOS	
6.65	
V 26 01.51.21	
T58	196
6.71	
V 36 01.51.29	
T59	197
6.75	
V 36 01.51.33	
T59	198
6.94	
V 36 01.51.52	
T59	199
7.04	
V 36 01.52.02	
T59	200
7.18	
V 36 01.52.16	
T59	201
7.24	
V 36 01.52.22	
T59	202
7.39	
V 36 01.52.37	
T59	203
7.45	
V 36 01.52.43	
T59	204
7.50	
V 36 01.52.48	
T59	205
7.66	
V 36 01.53.04	
T59	206
PPAL	
7.86	
0.00	
N 3' 01.53.24	
T60	207
0.00	
V 42 01.56.24	
T61	208
0.24	
V 42 01.56.44	
T61	209
1.25	
V 42 01.58.11	
T61	210
1.37	
V 42 01.58.21	
T61	211
1.44	
V 42 01.58.27	
T61	212
1.55	
V 32 01.58.37	
T62	213
2.03	
V 32 01.59.31	
T62	214
2.25	
V 45 01.59.55	
T63	215
MORTAL	
2.40	
V 45 02.00.07	
T63	216
2.64	
V 45 02.00.27	
T63	217
2.85	
V 36 02.00.43	
T64	218
3.09	
V 36 02.01.07	
T64	219
3.26	
V 36 02.01.24	
T64	220
3.32	
V 18 02.01.30	
T65	221
NOS EUCA LIPTOS	
3.43	
V 18 02.01.52	
T65	222
BEIRE CERCA	
3.49	
V 18 02.02.04	
T65	223
3.50	
V 18 02.02.06	
T65	224
CDD MMS	
3.54	
V 33 02.02.14	
T66	225
3.72	
V 33 02.02.34	
T66	226
3.80	
V 33 02.02.43	
T66	227
3.85	
V 33 02.02.48	
T66	228
DESCE LISO	
3.92	
V 33 02.02.56	
T66	229
4.03	
V 33 02.03.08	
T66	230
4.24	
V 45 02.03.31	
T67	231
MORTAL	
4.39	
V 45 02.03.43	
T67	232

4.63	V 45 02.04.02 T67	233	xxxx0 0xxxx w
4.84	V 36 02.04.19 T68	234	
5.07	V 36 02.04.42 T68	235	
5.30	V 36 02.05.05 T68	236	w
5.54	V 33 02.05.29 T69	237	xxx xxxxx
5.79	V 33 02.05.56 T69	238	
5.84	V 33 02.06.02 T69	239	
5.87	V 33 02.06.05 T69	240	
LAGO			
5.97	V 33 02.06.16 T69	241	
MMS			
6.04	V 45 02.06.23 T70	242	
MORTAL			
6.18	V 45 02.06.35 T70	243	
6.42	V 45 02.06.54 T70	244	xxxx0 0xxxx w
6.63	V 45 02.07.11 T70	245	
6.78	N 4' 02.07.23 T71	246	
0.00	V 39 02.11.23 T72	247	N
0.36	V 39 02.11.56 T72	248	
0.52	V 39 02.12.11 T72	249	
VALAS			
0.93	V 39 02.12.48 T72	250	
1.18	V 42 02.13.11 T73	251	
1.20	V 42 02.13.13 T73	252	
1.78	V 30 02.14.03 T74	253	w
2.09	V 30 02.14.40 T74	254	w
2.30	V 30 02.15.05 T74	255	
2.38	V 30 02.15.15 T74	256	w
2.53	V 30 02.15.33 T74	257	
2.72	V 30 02.15.56 T74	258	
2.79	V 45 02.16.04 T75	259	
3.16	V 45 02.16.34 T75	260	
3.60	V 45 02.17.09 T75	261	x x x
4.40	V 45 02.18.13 T75	262	xxxx0 0xxxx
4.61	V 45 02.18.30 T75	263	
4.77	V 45 02.18.42 T75	264	
5.01	V 40 02.19.02 T76	265	
0.61	V 40 02.19.57 T76	266	
0.75	V 40 02.20.09 T76	267	
NO PINUS			
1.58	V 40 02.21.24 T76	268	
TAPETE MAGICO			
1.75	V 18 02.21.39 T77	269	
2.77	V 18 02.25.03 T77	270	
2.83	V 18 02.25.15 T77	271	
3.00	N 2' 02.25.49 T78	272	w
3.00	V 40 02.27.49 T79	273	N
3.04	V 40 02.27.53 T79	274	
3.25	V 40 02.28.12 T79	275	xxxx0 0xxxx
3.33	V 40 02.28.19 T79	276	xxxx0 0xxxx
3.68	V 40 02.28.50 T79	277	xxxx0 0xxxx
3.80	V 40 02.29.01 T79	278	xxxx0 0xxxx
5.80	V 40 02.32.01 T79	279	
ZERE NO PINUS			
NEUTRO 30MIN			
GUAIRA			
6.73	N 30' 02.33.25 T80	280	
0.00	V 40 03.03.25 T81	281	N
0.09	V 40 03.03.33 T81	282	
0.35	V 40 03.03.56 T81	283	
NOVAKI			
1.19	V 46 03.05.12 T82	284	xxxx0 0xxxx
1.50	V 46 03.05.36 T82	285	xxxx0 0xxxx
1.79	V 46 03.05.59 T82	286	xxxx0 0xxxx
1.93	V 46 03.06.10 T82	287	
3.31	V 46 03.07.58 T82	288	
3.84	V 33 03.08.39 T83	289	
4.06	V 33 03.09.03 T83	290	
4.12	V 33 03.09.10 T83	291	
BAND			
4.17	V 40 03.09.15 T84	292	

4.87	
0.00	
V 42 03.10.18	
T85	293
0.20	
V 42 03.10.36	
T85	294
ARVORE CAIDA	
0.28	
V 42 03.10.42	
T85	295
0.96	
V 42 03.11.41	
T85	296
CONEXAO	
1.21	
0.00	
V 42 03.12.02	
T86	297
0.23	
V 42 03.12.22	
T86	298
0.44	
N 3' 03.12.40	
T87	299
0.44	
V 21 03.15.40	
T88	300
0.48	
V 21 03.15.47	
T88	301
0.74	
V 21 03.16.31	
T88	302
BAND	
COSTEIRO MATO	
0.78	
V 21 03.16.38	
T88	303
ENTRE NO MATO	
0.90	
V 21 03.16.59	
T88	304
0.99	
V 40 03.17.14	
T89	305
1.11	
V 40 03.17.25	
T89	306
1.39	
V 40 03.17.50	
T89	307
1.40	
V 30 03.17.51	
T90	308
1.53	
V 30 03.18.07	
T90	309
1.61	
V 30 03.18.16	
T90	310
1.74	
V 30 03.18.32	
T90	311
1.89	
V 30 03.18.50	
T90	312
1.93	
V 20 03.18.55	
T91	313
VALA	
1.98	
V 30 03.19.04	
T92	314
2.49	
V 30 03.20.05	
T92	315
2.52	
V 30 03.20.08	
T92	316
2.66	
V 27 03.20.25	
T93	317
2.87	
V 27 03.20.53	
T93	318
PPAL	
2.99	
V 40 03.21.09	
T94	319
3.31	
V 40 03.21.38	
T94	320
3.39	
V 40 03.21.45	
T94	321
3.40	
V 40 03.21.46	
T94	322
3.41	
V 40 03.21.47	
T94	323
SOBE	
3.66	
V 40 03.22.09	
T94	324
3.81	
V 24 03.22.23	
T95	325
MEIO PINUS	
4.00	
V 24 03.22.51	
T95	326
4.12	
V 24 03.23.09	
T95	327
AMENDOIM	
4.14	
V 33 03.23.12	
T96	328
DESCE MUITA EROSAO	
4.71	
V 33 03.24.15	
T96	329
CDDER OSOES	
5.56	
V 33 03.25.47	
T96	330
5.85	
V 33 03.26.19	
T96	331
5.99	
N 3' 03.26.34	
T97	332
5.99	
V 33 03.29.34	
T98	333
6.21	
V 33 03.29.58	
T98	334
6.32	
V 33 03.30.10	
T98	335
6.40	
V 33 03.30.19	
T98	336
6.57	
V 24 03.30.38	
T99	337
ABISMO	
6.75	
V 24 03.31.05	
T99	338
6.89	
V 33 03.31.26	
T100	339
7.08	
V 33 03.31.46	
T100	340
7.14	
V 33 03.31.53	
T100	341
7.16	
0.00	
V 38 03.31.55	
T101	342
0.03	
V 38 03.31.58	
T101	343
SUBA GASS	
0.33	
V 38 03.32.26	
T101	344
SUBA GASS	
0.68	
V 38 03.32.59	
T101	345
BATIDO DE VACA	
1.02	
V 18 03.33.32	
T102	346
1.19	
V 18 03.34.06	
T102	347
1.71	
D 4' 03.35.50	
T103	348
PELA PONTE	
1.72	
D 4'	
T103	349
1.80	
V 36 03.39.50	
T104	350
2.10	
V 36 03.40.20	
T104	351

2.26	V 36 03.40.36	T104	352	xxxx0 0xxxx	
2.55	V 36 03.41.05	T104	353		
3.02	V 36 03.41.52	T104	354		
3.17	V 36 03.42.07	T104	355		
PPAL					
3.26	N 2' 03.42.16	T105	356		
3.26	V 36 03.44.16	T106	357		
3.67	V 40 03.44.57	T107	358		
3.75	V 40 03.45.04	T107	359		
3.93	V 40 03.45.20	T107	360		
4.13	V 40 03.45.38	T107	361		
4.28	V 40 03.45.52	T107	362		
4.45	V 40 03.46.07	T107	363		
MMS					
4.49	V 25 03.46.10	T108	364		
GASS					
4.55	V 25 03.46.19	T108	365		
4.72	V 30 03.46.44	T109	366		
4.90	V 30 03.47.05	T109	367		
MMS					
4.95	V 30 03.47.11	T109	368		
5.05	V 30 03.47.23	T109	369		
5.12	V 30 03.47.32	T109	370		
5.18	V 30 03.47.39	T109	371		
5.32	V 25 03.47.56	T110	372		
5.38	V 25 03.48.04	T110	373		
5.55	V 30 03.48.29	T111	374		
5.71	V 30 03.48.48	T111	375		
5.79	V 35 03.48.57	T112	376		
5.84	V 35 03.49.03	T112	377		
6.03	V 35 03.49.22	T112	378		
6.17	V 35 03.49.37	T112	379		
6.56	V 35 03.50.17	T112	380		
6.60	V 35 03.50.21	T112	381		
6.72	V 35 03.50.33	T112	382	xxxx0 0xxxx	
6.78	V 15 03.50.39	T113	383		
BAND					
6.80	V 15 03.50.44	T113	384	xxxxx xxxxx	
6.82	V 15 03.50.49	T113	385		
DIRECAO		PORTAO			
6.86	V 15 03.50.58	T113	386		
6.88	V 39 03.51.03	T114	387	xxxxx xxxxx	
7.46	V 39 03.51.57	T114	388		
7.55			389		
0.00	N 10' 03.52.05	T115	390		
0.25	V 42 04.02.27	T116	391		
0.56	V 42 04.02.53	T116	392		
0.67	V 33 04.03.03	T117	393		
0.90	V 33 04.03.28	T117	394	xxxx0 0xxxx	
BEIRE A LAVOURA					
1.07	V 33 04.03.46	T117	395		
LAVOURA					
1.25	V 42 04.04.06	T118	396		
1.88	V 36 04.05.00	T119	397		
1.96	V 36 04.05.08	T119	398		
2.03	D 2' 04.05.15	T120	399		
SUCHARSKI					
2.14	V 38 04.07.15	T121	400	xxxx0 0xxxx	
2.30	V 38 04.07.30	T121	401		
2.35	V 38 04.07.35	T121	402		
2.37	V 38 04.07.37	T121	403		
2.41	V 38 04.07.40	T121	404		
2.44	V 38 04.07.43	T121	405	xxxx0 0xxxx	
2.56	V 38 04.07.55	T121	406		
GASS					
2.65	V 34 04.08.03	T122	407		
GASS					
3.33	V 34 04.09.15	T122	408		
3.54	V 34 04.09.37	T122	409		
3.68	N 2' 04.09.52	T123	410	xxxxx xxxxx	
3.68	V 27 04.11.52	T124	411		
4.16	V 27 04.12.56	T124	412		

NO PINUS		
4.41		
V 27 04.13.30	T124	413
DES VIE		
4.57		
V 24 04.13.51	T125	414
4.61		
V 24 04.13.57	T125	415
VALA		
4.74		
V 33 04.14.16	T126	416
4.78		
V 33 04.14.21	T126	417
4.80		
V 33 04.14.23	T126	418
5.28		
V 33 04.15.15	T126	419
5.42		
V 40 04.15.31	T127	420
5.50		
V 40 04.15.38	T127	421
5.87		
N 1' 04.16.11	T128	422
5.87		
V 44 04.17.11	T129	423
MATA BURRO PRECARIO		
6.20		
V 44 04.17.38	T129	424
6.28		
V 44 04.17.45	T129	425
6.79		
V 44 04.18.26	T129	426
7.13		
V 44 04.18.54	T129	427
7.35		
V 34 04.19.12	T130	428
0.07		
V 34 04.19.20	T130	429
VALAS		
0.57		
V 34 04.20.12	T130	430
0.63		
V 34 04.20.19	T130	431
0.87		
V 34 04.20.44	T130	432
1.00		
V 34 04.20.58	T130	433
1.15		
V 34 04.21.14	T130	434
1.44		
V 34 04.21.45	T130	435
1.46		
V 40 04.21.47	T131	436
2.42		
V 42 04.23.13	T132	437
2.57		
V 42 04.23.26	T132	438
2.68		
V 42 04.23.35	T132	439
3.08		
V 42 04.24.10	T132	440
3.37		
V 42 04.24.34	T132	441
3.89		
V 30 04.25.19	T133	442
4.17		
V 30 04.25.53	T133	443
4.20		
V 30 04.25.56	T133	444
PPAL		
4.75		
N 2' 04.27.02	T134	445
4.75		
V 38 04.29.02	T135	446
7.20		
V 38 04.32.54	T135	447
ZERE NO POSTE		
8.21		
D 12' 04.34.30	T136	448
0.00		
POR BAIXO VIADUTO		
0.10		
D 12'	T136	449
0.20		
D 12'	T136	450
0.37		
D 12'	T136	451
1.33		
D 12'	T136	452
1.66		
D 12'	T136	453
MOVEIS VITORIA		
2.21		
D 12'	T136	454
2.48		
D 12'	T136	455
2.84		
D 12'	T136	456
3.58		
D 12'	T136	457
SUPERPAO		
4.35		
D 12'	T136	458
CTG FRONTEIRA		
4.96		
D 12'	T136	459
APAE		
5.69		
D 12'	T136	460
REI DO MASSADO		
6.62		
D 12'	T136	461
6.72		
D 12'	T136	462
6.87		
D 12'	T136	463
CLUBE NAUTICO		
HOBI		
7.00		
N 0h 04.46.30	T137	464
<b>FIM DE PROVA !!</b>		
<a href="http://www.t15.com.br">www.t15.com.br</a>		
<b>Tempo de Prova</b>		
MÉDIA D 04:46:30		
<b>FIM</b>		